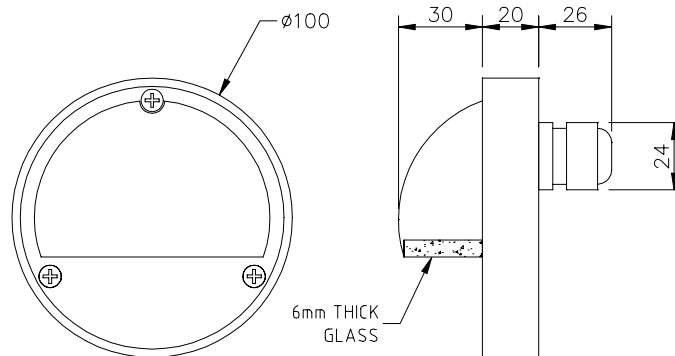


Poly Optics Australia Pty Ltd

Large Eyelid

Poly Maxi Eyelid



FRONT VIEW

SIDE VIEW

Poly Maxi Eyelid Standard Specifications

- Die-cast aluminum shell
- Powder coated finish
- IP 68 rated cable gland
- Mounting holes in back plate for easy installation
- Weather resistant
- Suitable for interior or exterior applications