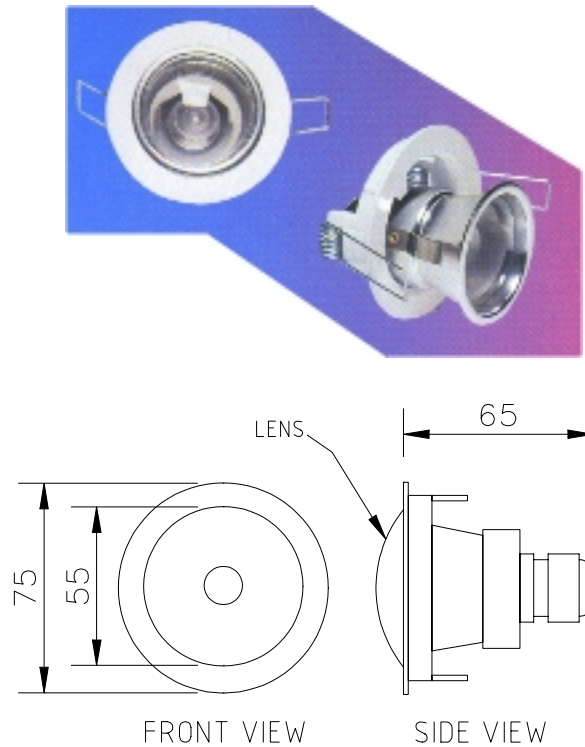


Poly Optics Australia Pty Ltd

Down Light

Poly Down Light



Poly Down Light Standard Specifications:

- Acrylic lens
- Aluminum and die-cast fittings
- Held in place by clip system
- IP 68 rated cable gland
- Requires only a 65mm hole for installation
- Suitable for *Poly 90* and *Poly 120* fiber optic cable