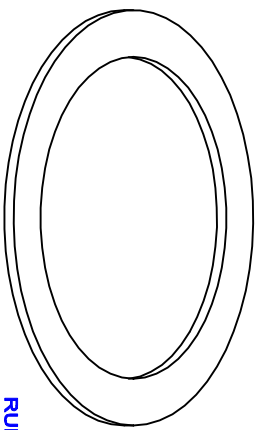
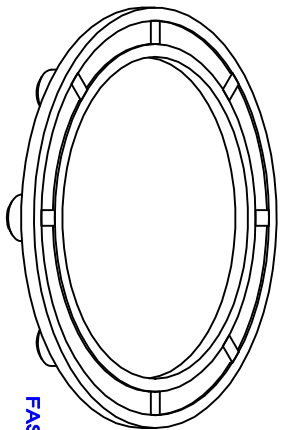


POLYCARBONATE HOUSING

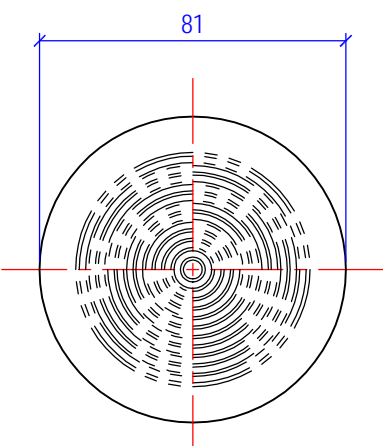


RUBBER SEAL



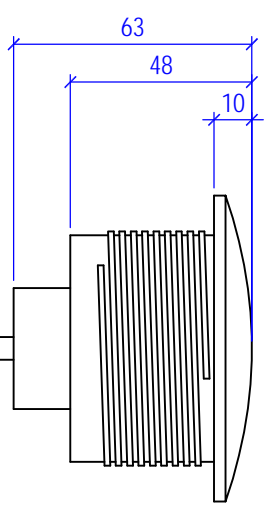
FASTENING NUT

POLY POOL LED
NOT TO SCALE

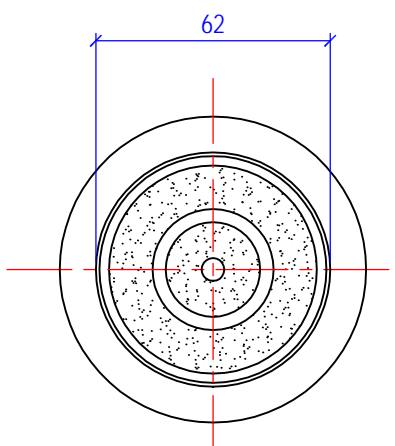


POLYCARBONATE HOUSING

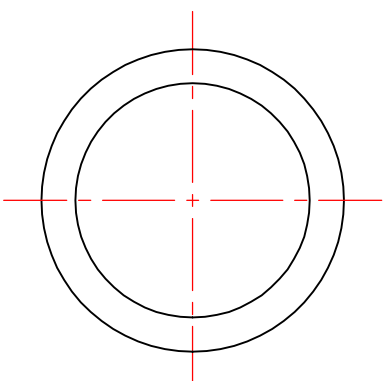
TOP VIEW



SIDE VIEW



BOTTOM VIEW

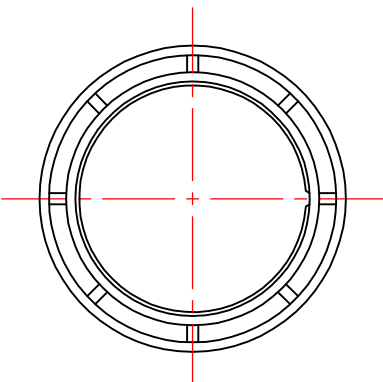


RUBBER SEAL

TOP VIEW

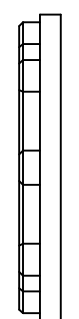


SIDE VIEW

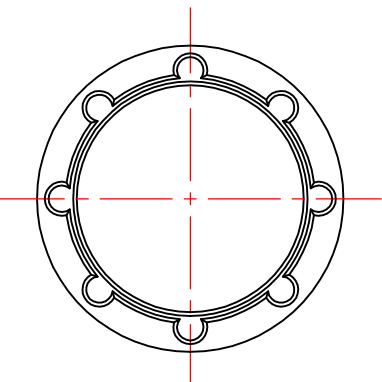


FASTENING NUT

TOP VIEW

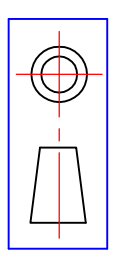


SIDE VIEW

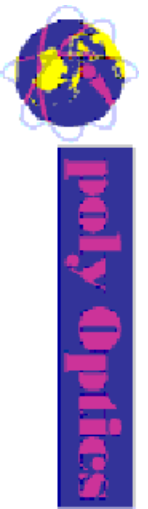


BOTTOM VIEW

NOTES:



DO NOT SCALE DIMENSIONS IN MILLIMETRES



This design is subject to copyright and may not be reproduced in whole or in part without the written permission of Poly Optics Australia Pty Ltd.
All property belongs to Poly Optics Australia Pty Ltd.

POLY OPTICS AUSTRALIA PTY LTD

POLY POOL LED

DRAWN BY: MARIANNE		CHECKED BY: EDDY		DATE: 18/10/04	
SCALE AT A3: 1:2		DRAWING NO: -		REVISION: -	

A3

