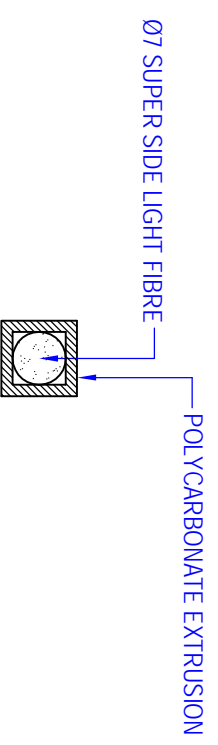


SECTION B-B

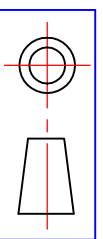


SECTION A-A

REVISION:	REVISION DATE:	DESCRIPTION:	NOTES:
-	-	-	-

REVISION:	REVISION DATE:	DESCRIPTION:
-	-	-

REVISION:	REVISION DATE:	DESCRIPTION:
-	-	-

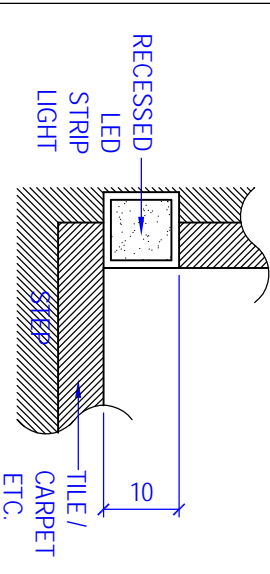
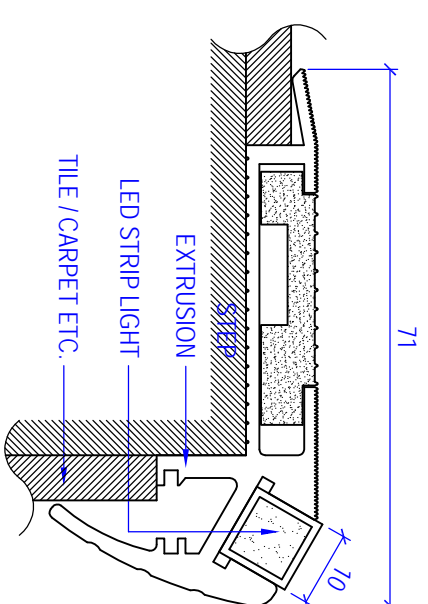
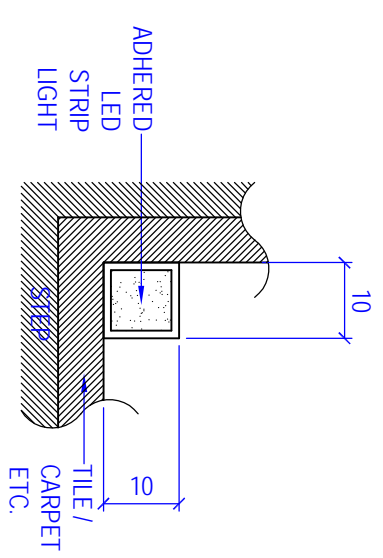
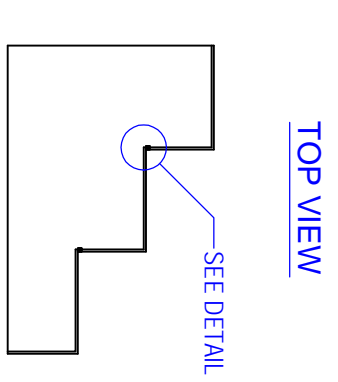
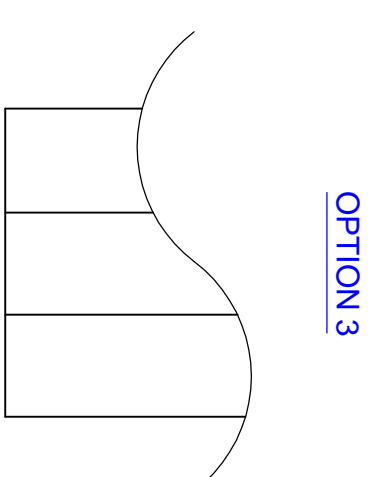
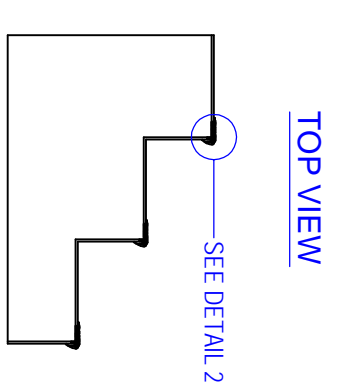
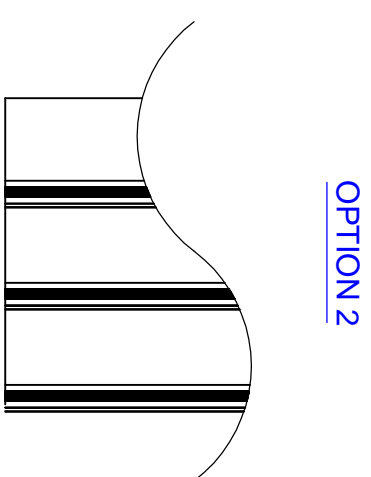
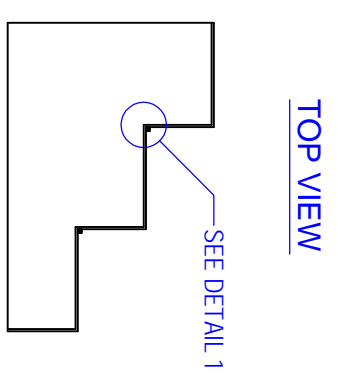
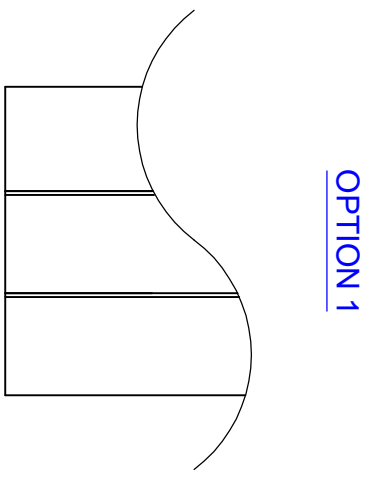
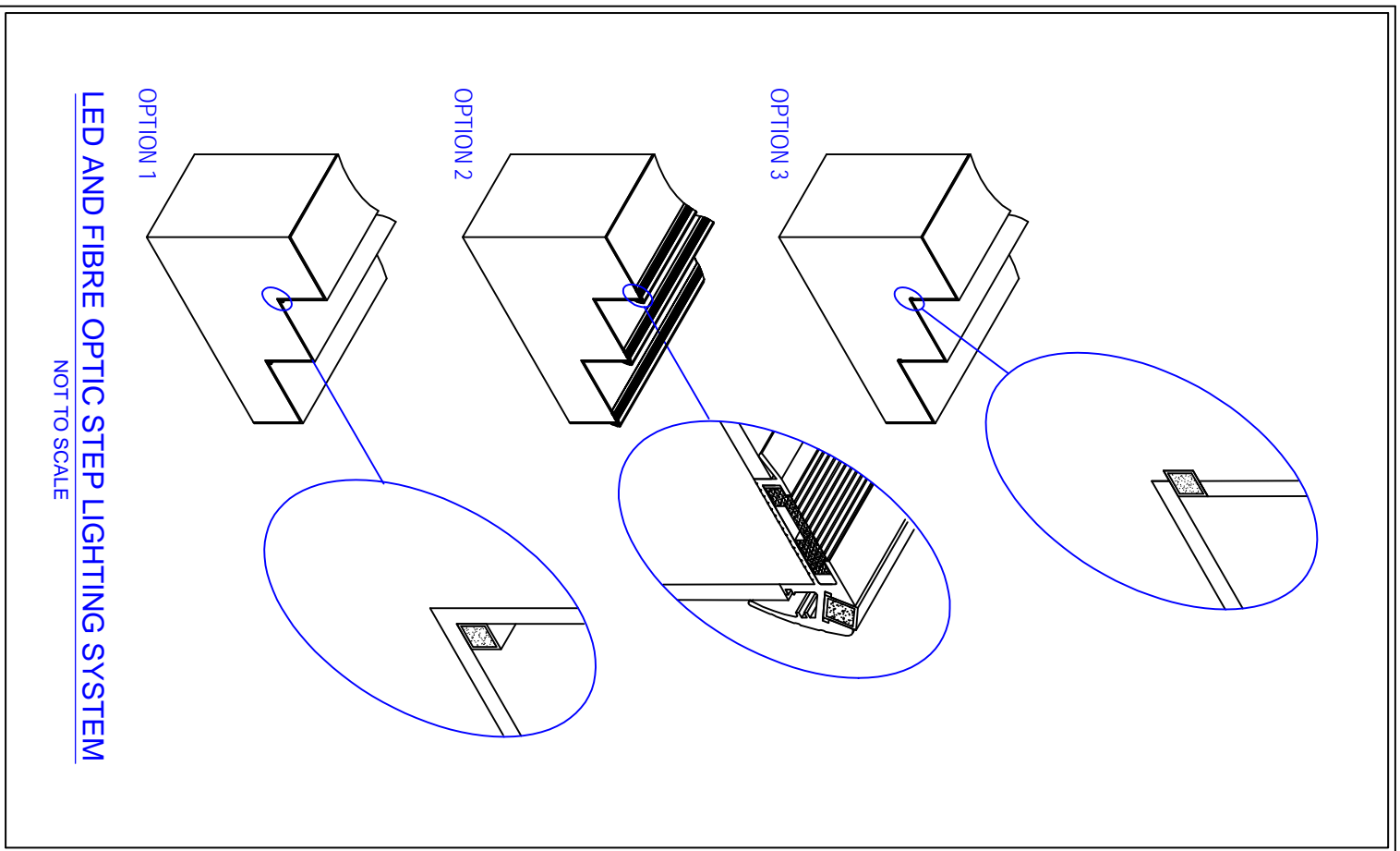


This design is subject to copyright and may not be reproduced in whole or in part without the written permission of Poly Optics Australia Pty Ltd.
All property belongs to Poly Optics Australia Pty Ltd.

POLY OPTICS AUSTRALIA PTY LTD
LED AND FIBRE OPTIC STRIP LIGHT

TITLE:	DRAWN BY:	CHECKED BY:	DATE:
LED AND FIBRE OPTIC STRIP LIGHT	MARIANNE	EDDY	25/10/04
SCALE AT A3:	DRAWING NO:	REVISION:	
1:1	LFSL - 01	-	

A3



REVISION:	REVISION DATE:	DESCRIPTION:
-	-	-

REVISION:	REVISION DATE:	DESCRIPTION:
-	-	-

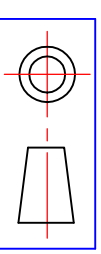
REVISION:	REVISION DATE:	DESCRIPTION:
-	-	-

REVISION:	REVISION DATE:	DESCRIPTION:
-	-	-

REVISION:	REVISION DATE:	DESCRIPTION:
-	-	-

REVISION:	REVISION DATE:	DESCRIPTION:
-	-	-

NOTES:



DO NOT SCALE DIMENSIONS IN MILLIMETRES



This design is subject to copyright and may not be reproduced in whole or in part without the written permission of Poly Optics Australia Pty Ltd.
All property belongs to Poly Optics Australia Pty Ltd.

POLY OPTICS AUSTRALIA PTY LTD
LED AND FIBRE OPTIC STEP LIGHTING SYSTEM

TITLE:

DRAWN BY: MARIANNE

CHECKED BY: EDDY

DATE: 01/11/04

SCALE AT A3: 1:20

DRAWING NO: LFSL - 02

REVISION: -

A3