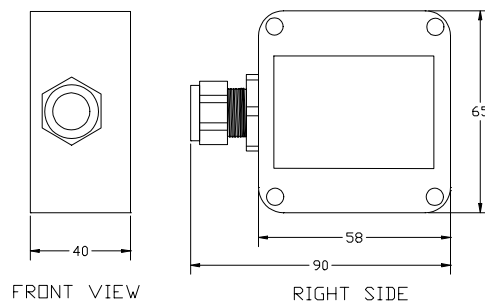


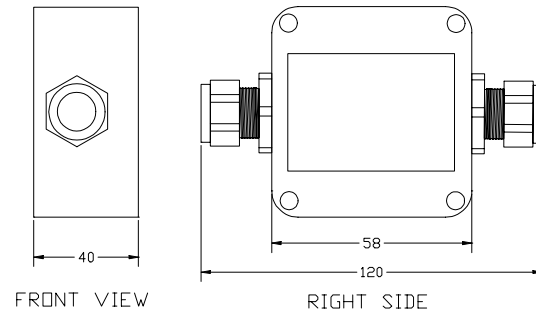
Poly Optics Australia Pty Ltd

LED Light Drivers



FRONT VIEW

RIGHT SIDE



FRONT VIEW

RIGHT SIDE

LED - 04 Light Driver

SINGLE OPTICAL PORT

LED - 08 Light Driver

TWIN OPTICAL PORT

LED Light Driver Standard Specifications

- Low voltage (7.5 –16VDC)
- Each optic port contains four LEDs
- Choice of LED color combination
- Super high intensity LEDs used for optimum brightness
- Each optic port can hold up to 150 strands of 0.75mm stranded fiber or up to 14mm diameter solid core fiber
- Heat-free light source
- Low power consumption
- Microprocessor controlled color changing
- Three standard programs available (custom programs available upon request):
 - Twinkle effect for end-lit fiber (for starfield effect)
 - Strobe effect for side-lit cable
 - Combination of strobe and twinkle for special effects
- Weight: 89g/3.1oz (LED-04), 117g/4.1oz (LED-08)
- Power packs and power leads supplied separately